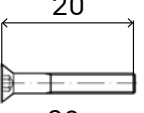
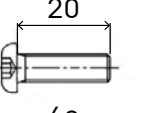
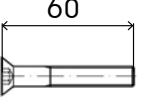






- 1**  x4
- 2**  x8
- 3**  x6

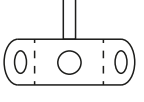

Instructions

1- Place all the panels following the order (sides, front, rear and bottom) in their position with screws, washers and bolts, **WITHOUT TIGHTENING**.

2-Tight the bolts following the specified order (sides, front, rear, bottom).

- 4**  x18
- 5**  x18

all holes need **4** and **5**

- 6**  x4
- 7**  x4

