



TRIOBIKE



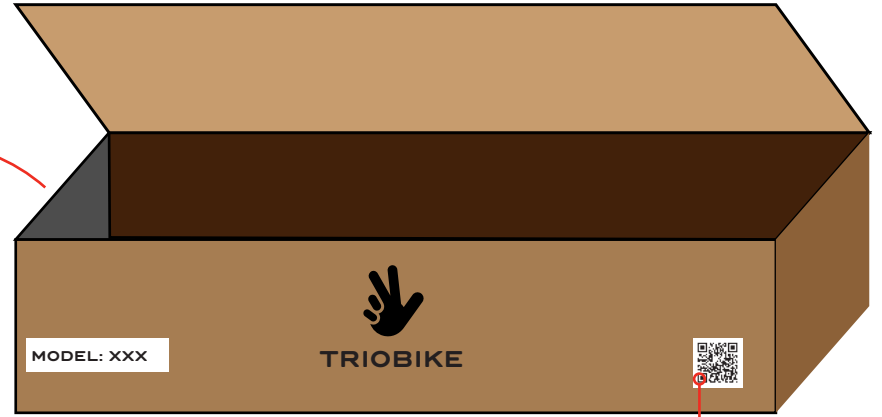
HAFNIA

HOOD INSTALLATION MANUAL

ENGLISH V 1.1



HOOD PARTS



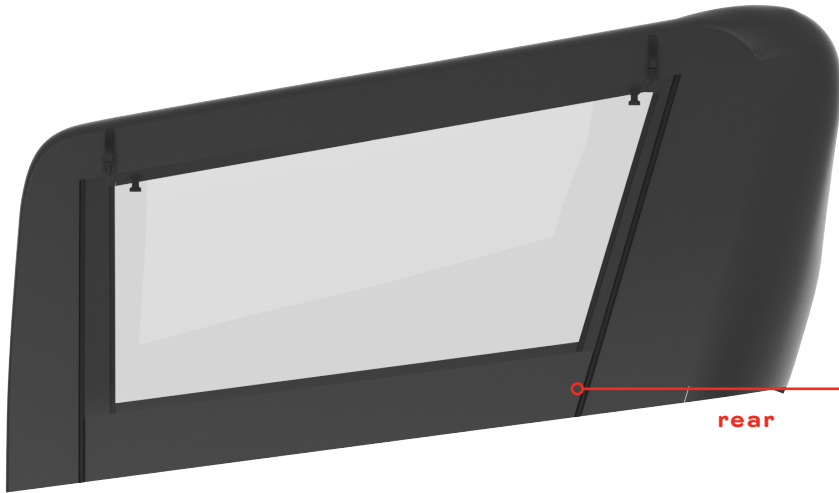
MODEL: XXX

TRIOBIKE



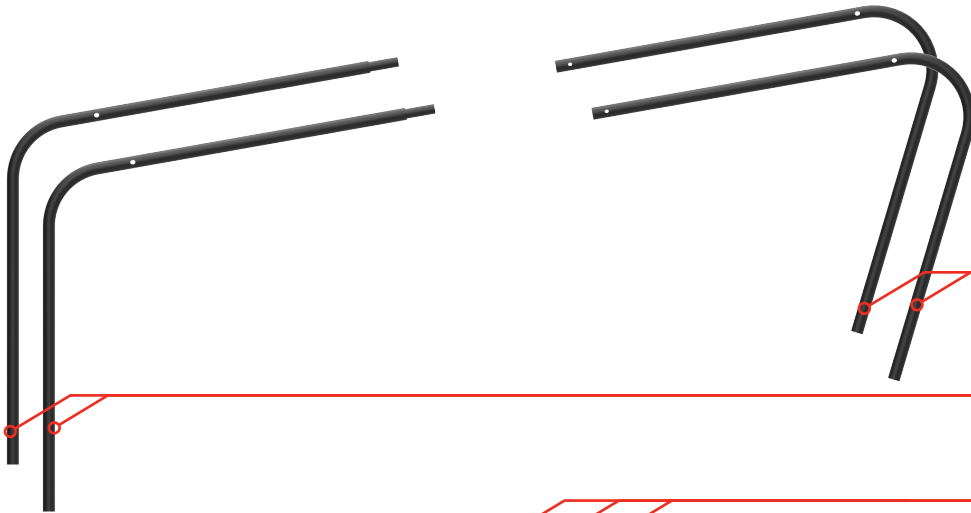
QR code - scan to download the manual

1x hood fabric



rear

front



2x hood frame tubes - rear part

2x hood frame tubes - front part

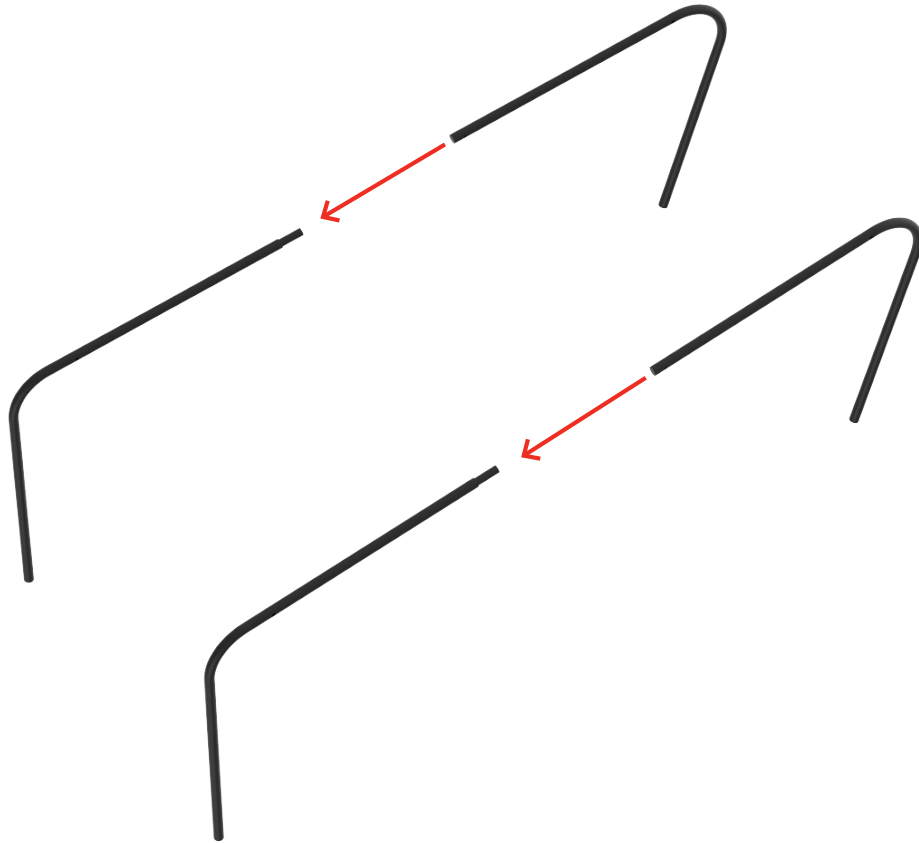
3x hood frame bridges



6x DIN 7380 M6X25 bolts

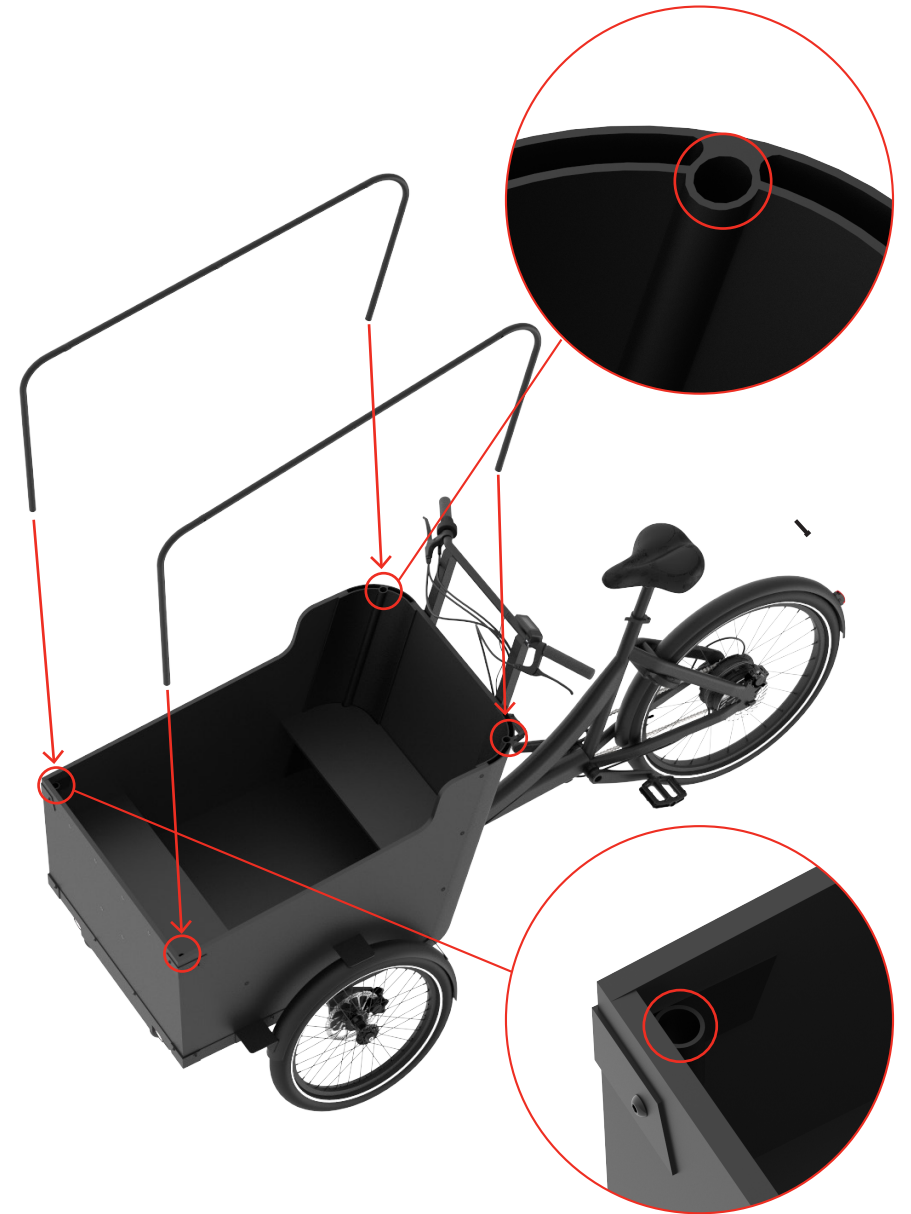


INSTALLING THE HOOD



- 1- Open the box and place all the parts on a flat and clean surface.
- 2- Take the 4 bent tubes and connect them as shown on the picture above.

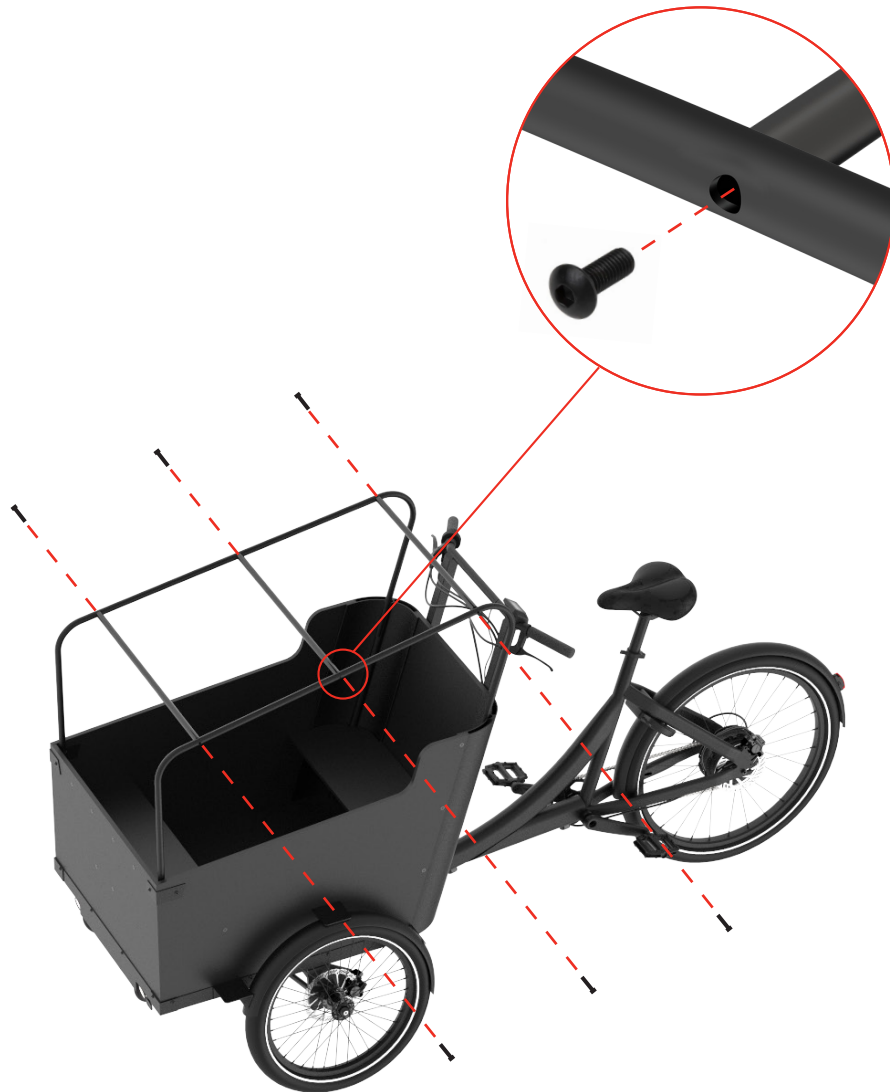
4



- 3- Insert the hood frame on the bike box: the frame has to enter into the tubes marked with the red circles.

5

INSTALLING THE HOOD



4- Take the 3 short straight bars and fix them to the side frame tubes with the 6x DIN7380 M6x25 bolts. The longer goes to the front, the shorter goes to the rear.

6

INSTALLING THE HOOD



5- Unfold the soft cover and place it on the hood frame.

7

INSTALLING THE HOOD



6- Close all the snaps located around the hood cover.



TRIOBIKE

TRIOBIKE A/S

Vesterbrogade 149, 1620 Copenhagen V - Denmark

phone: +45 3670 0070

info@triobike.dk | www.triobike.com